



SPECIFICATIONS

Single control

Matte Black finish

Anti limescale aerator M 22 x 1

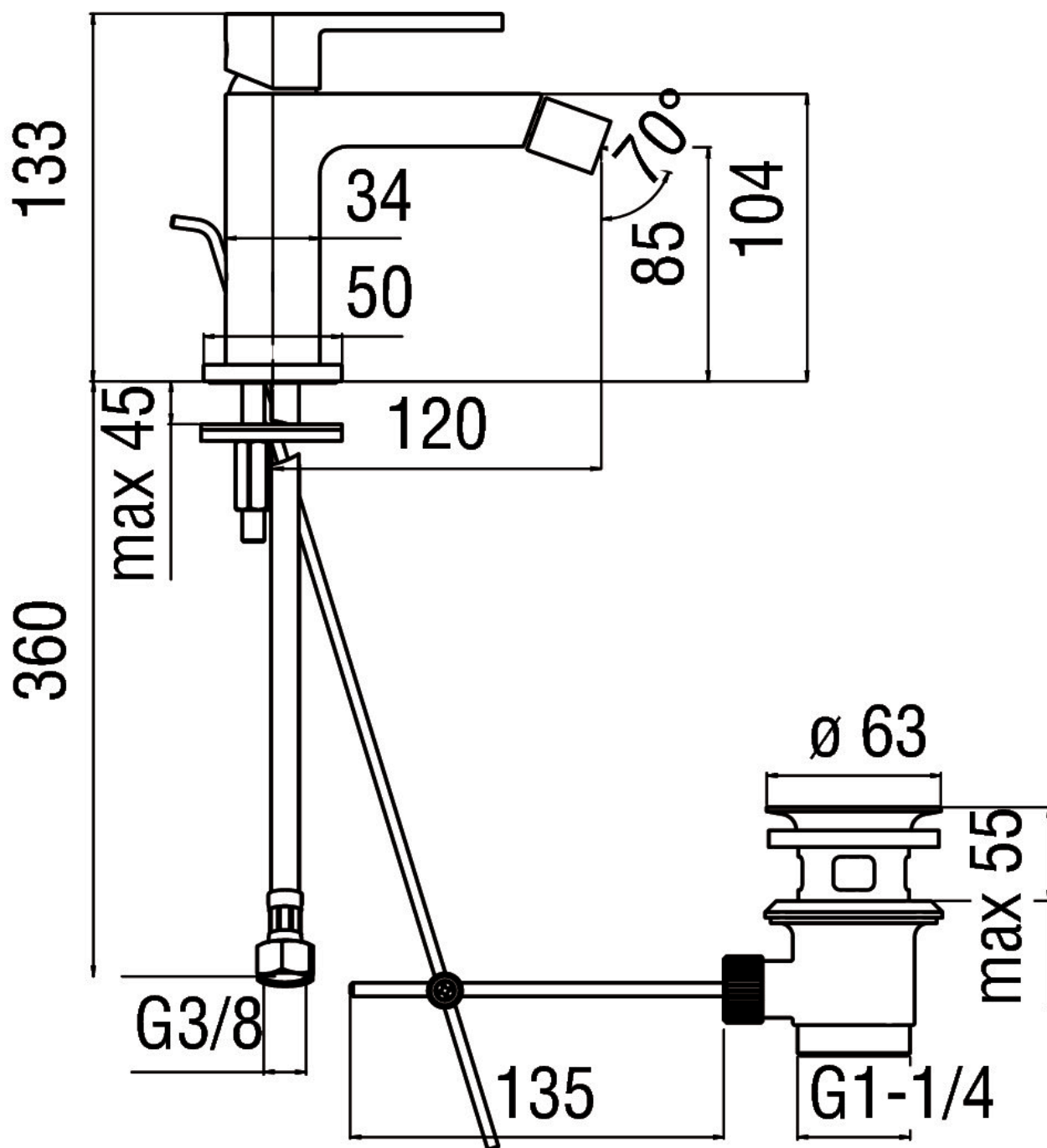
Swivel jet

1 1/4" waste

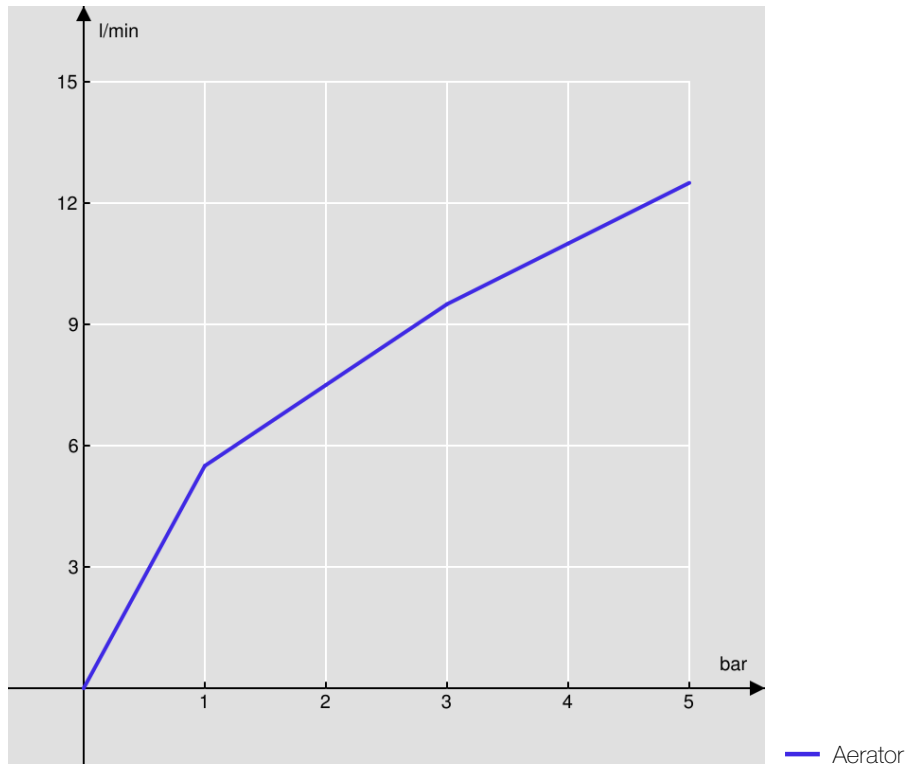
3/8" stainless steel flexible pipe

Dynamic flow limiter

Packaging: 41 x 21 x 7 cm / 0,006027 m³ / 1,72 kg



FLOW RATE DIAGRAM: HOT/COLD WATER



FLOW RATE DIAGRAM: MIXED WATER

